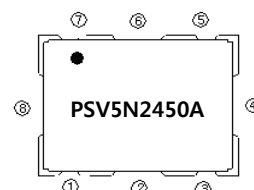


Features

- Single VCO
- Frequency Range : 2400– 2500MHz
- Tuning Voltage : 0.1 – 5.0 V
- N series : 10.0x7.4x2.0
- Surface Mounted Device Type
- Compact size and light weight type
- Low current consumption

Applications

- Mobile Infrastructure
- Repeater , Base station
- VSAT Modems



1	RF OUT
2	GND
3	MOD(or NC)
4	GND
5	VT
6	GND
7	Vcc
8	GND

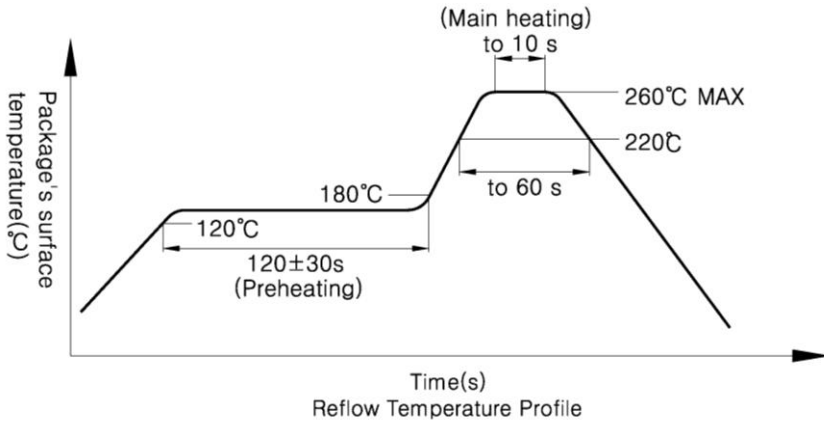
Specifications

ITEM	SPEC.			UNIT	Test conditions
	Min	Typ	Max		
Supply Voltage		5		V	DC Voltage
Frequency			2400	MHz	Vcc = 5V, Vt = 0.1V
	2500			MHz	Vcc = 5V, Vt = 5.0V
Current			25	Ma	Vcc = 5V, Vt = 2.5V
Output Level	-3		3	dBm	Vcc = 5V, Vt = 2.5V
Phase Noise (C/N)			-95	dBc/Hz	10kHz offset, BW = 1Hz
			-115	dBc/Hz	100kHz offset, BW = 1Hz
			-135	dBc/Hz	1MHz offset, BW = 1Hz
2nd Harmonic			-15	dBc	Vcc = 5V, Vt = 2.5V
Tuning Sensitivity	35			MHz/V	
Pushing	-1		1	MHz	Vcc = 5V ±0.25V, Vt= 2.5V
Modulation Sensitivity				KHz/V	Vcc = 5V , Vt = 2.5V

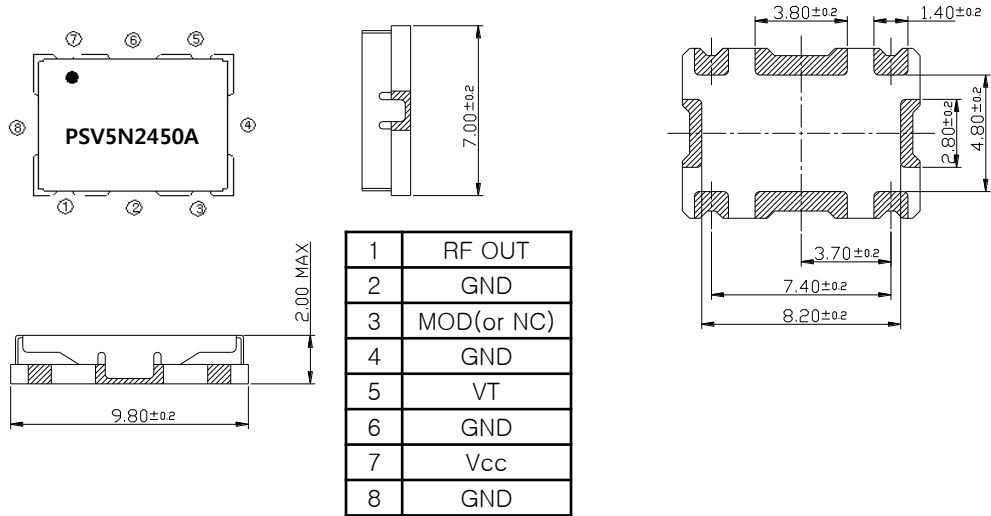
Ratings

	ITEM	SYMBOL	RATING	UNIT
1	Supply Voltage	Vcc	5±0.25	V
2	Tuning Voltage	Vt	0.3 ~ 4.8	V
3	Operating Temperature	Top	-20 ~ +70	℃
4	Storage Temperature	Tstg	-40 ~ +85	℃
5	Storage Humidity	Hstg	5 ~ 90%	%

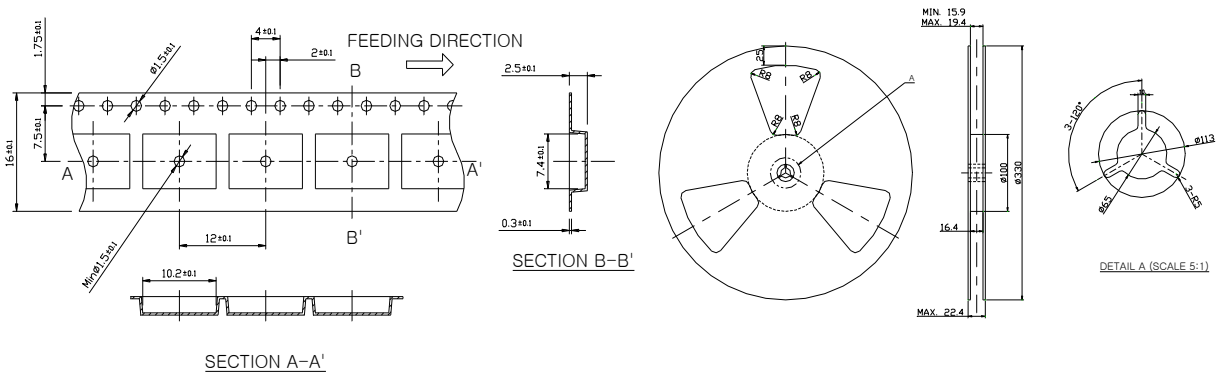
Soldering Time Profile



Physical Dimensions



Packing Information



电话 : 010-62553281

传真 : 010-62565907 <http://www.jkoe-china.com>